

Carboma

JOY 2

Table-top display cases for ice-cream

Compact model, fits into any design

Excellent visibility of the ice cream is provided by the raised trays and LED lighting inside the display case

Greater productivity thanks to the energy-efficient R290 refrigerant

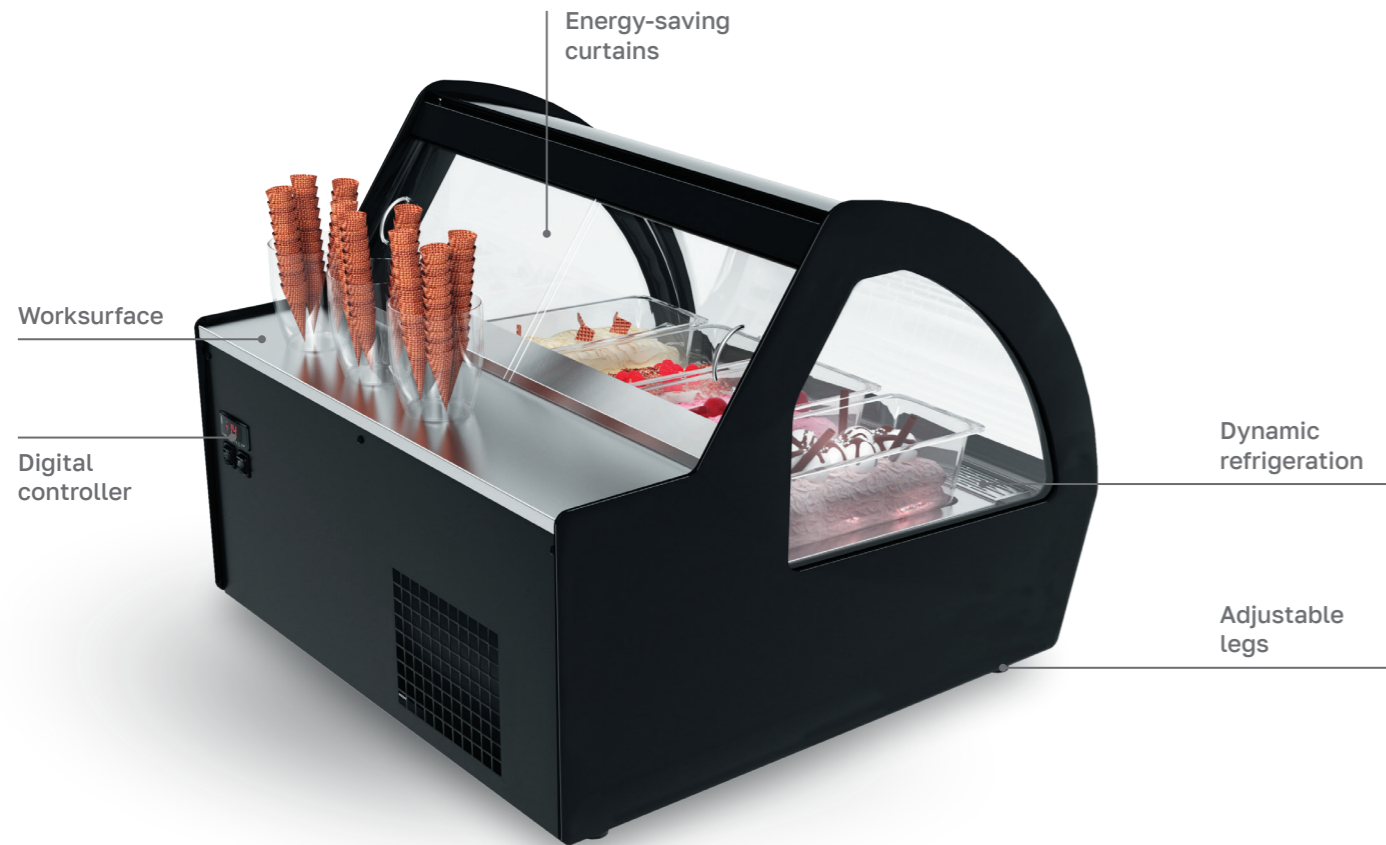
Hot gas defrost

Easy to maintain – easy-to-insert gastro containers

Various color options for the front panels



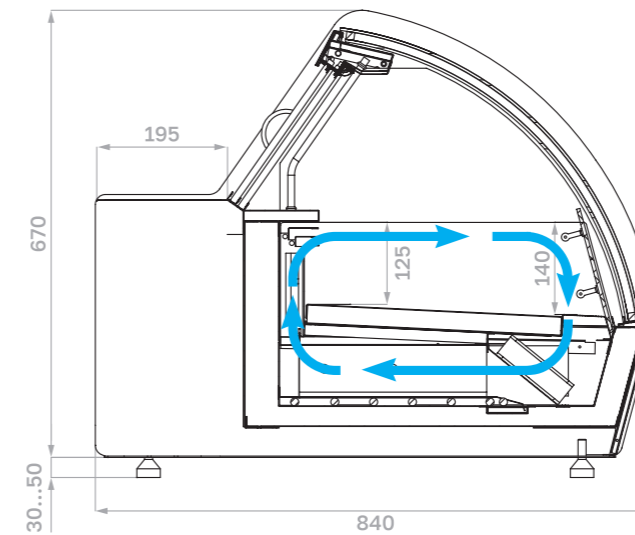
Structural features



The manufacturer reserves the right to modify equipment design and scope of supply without prior notice

Specifications

Model	I83 VL 0,8-1	I83 VL 1,2-1
Total length, mm	805	1165
Internal volume of displayed products, l	104	154
Net volume of displayed products, l	14,4	21,6
Number of gastro containers GN 1/3 325x176x100	4	6
Displayed product temperature, °C	-25...-12	-25...-12



Options

- Stainless steel trays for gastro containers 360x165x120 mm
- Stainless steel gastro containers 360x165x120 mm

I83 VL 0,8-1



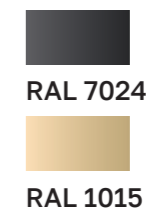
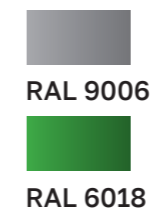
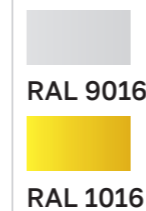
I83 VL 1,2-1



Standard version



Standard colors Painted panels



Custom-made version

Panels painted any color from RAL chart